

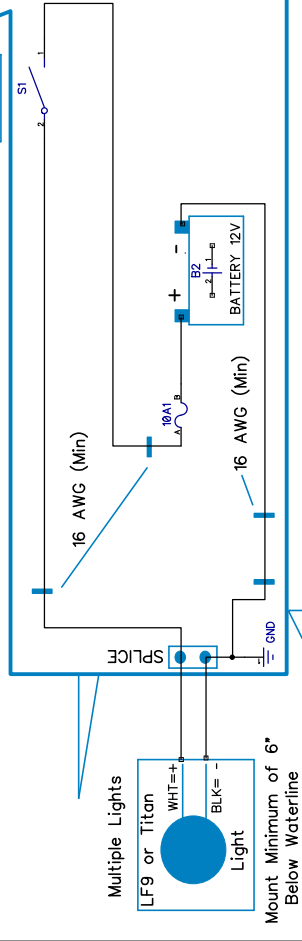
**** DO NOT POWER LIFEFORM LED LIGHTS FROM THE PDM MODULES!**

**** LIFEFORM LED LIGHTS WILL NOT WORK CORRECTLY FROM NEWER BOATS USING CAN PDM MODULES BECAUSE OF THEIR-PWM OUTPUT VOLTAGE ****

LIFEFORM LED Light Wiring Guide

**WRONG WIRE SIZE, FUSES, OR INCORRECT WIRING CAN CAUSE POTENTIAL FIRE HAZARDS IF OVERLOADED!
USE A PROFESSIONAL INSTALLER IF YOU ARE NOT FAMILIAR WITH ELEC. WIRING**

ALWAYS USE WATER PROOF SPLICES



Switch Only Boat Config.

- 1) Use appropriate rated wire size
- 2) Fuse the circuit appropriately
- 3) Multiple lights can be wired in parallel

Each LF9 or TITAN Draws 2.7 Amps each

**WARNING! - IF YOU ARE NOT FAMILIAR WITH ELECTRICAL WIRING CIRCUITS
REFER TO A PROFESSIONAL INSTALLER!**

**WIRE SIZE GOING TO (QTY-2) LF LIGHTS SHOULD BE 16 AWG MINIMUM!
WRONG WIRE SIZE, FUSES, OR INCORRECT WIRING CAN CAUSE POTENTIAL FIRE HAZARDS IF OVERLOADED!**

Itemref	Quantity	Title/Name, designation, material, dimension etc	Article No./Reference
Designed by T Plowman	Checked by T.A.P.	Approved - date 6/2015	Date 6/2015
		File name	Scale N/A
LIFEFORM LED			Sheet 1/1
LF6, LF9, & Titan Wiring Example			Rev A